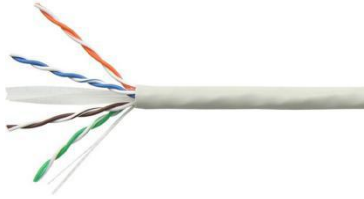


620086



Copper Cable, Category 6, U/UTP, 23 AWG, CM, Reelspeed, 1000 ft, gray

Product Classification

Regional Availability	Asia Australia/New Zealand
Portfolio	LITANG®
Product Type	Twisted pair cable

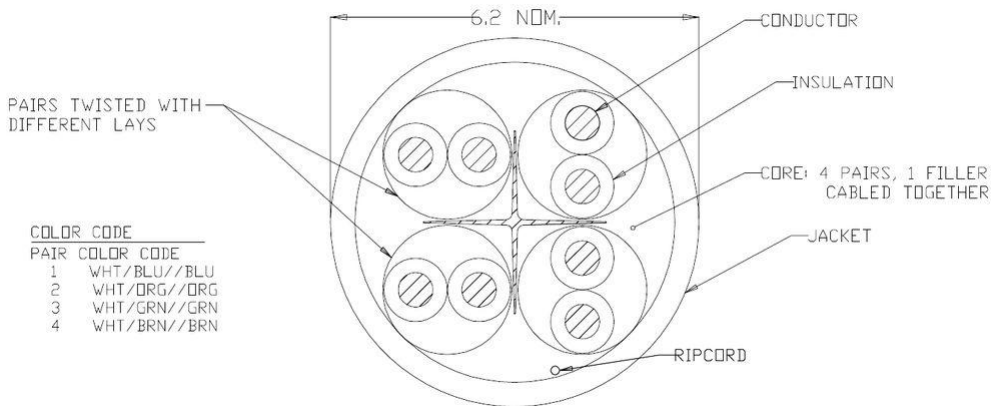
General Specifications

ANSI/TIA Category	6
Cable Component Type	Horizontal
Cable Type	U/UTP (unshielded)
Conductor Type, singles	Solid
Conductors, quantity	8
Jacket Color	Gray
Pairs, quantity	4
Transmission Standards	ANSI/TIA-568-C.2 ISO/IEC 11801 Class E

Dimensions

Cable Length	1000 ft 304.8 m
Diameter Over Jacket, nominal	0.252 in 6.401 mm
Conductor Gauge, singles	23 AWG

Cross Section Drawing



Electrical Specifications

Operating Voltage, maximum 80 V

Remote Powering Fully complies with the recommendations set forth by IEEE 802.3bt (Type 4) for the safe delivery of power over LAN cable when installed according to ISO/IEC 14763-2, CENELEC EN 50174-1, CENELEC EN 50174-2 or TIATSB-184-A

Material Specifications

Conductor Material Bare copper

Jacket Material PVC

Environmental Specifications

Flame Test Method CM | IEC 60332-1

